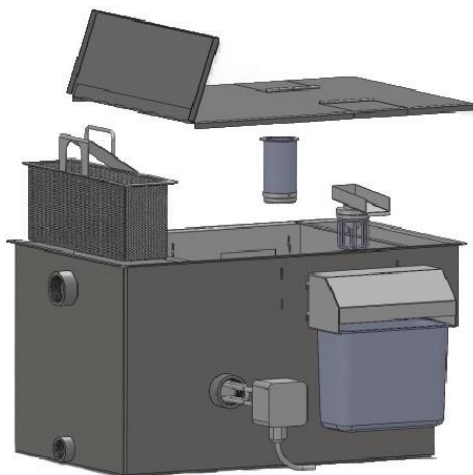




## GOS20 – Standard features

- Heavy duty 2.5 mm, 304 stainless steel exterior construction
- Neoprene seals on top/base of unit
- The Goslyn™ meets (and exceeds) the industry codes and standards
- 220V/50hz Immersion heater (CE listed) to keep effluent warm during idle periods
- Strainer basket to prevent solid debris from entering the drain pipes
- Easy access hinged lid compartments
- Self-closing drain valve included
- Two oil collection cassettes included
- No moving parts
- Ten year limited warranty on all stainless components
- One year limited warranty on all other components



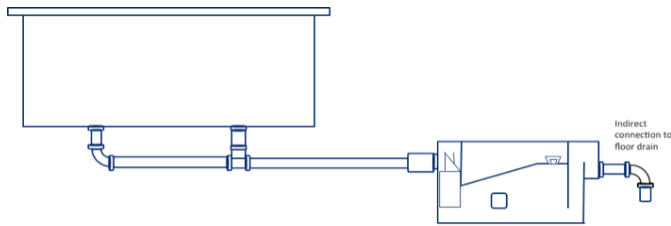
**Model:** GOS20

**Capacity:** 0.5 litres per second

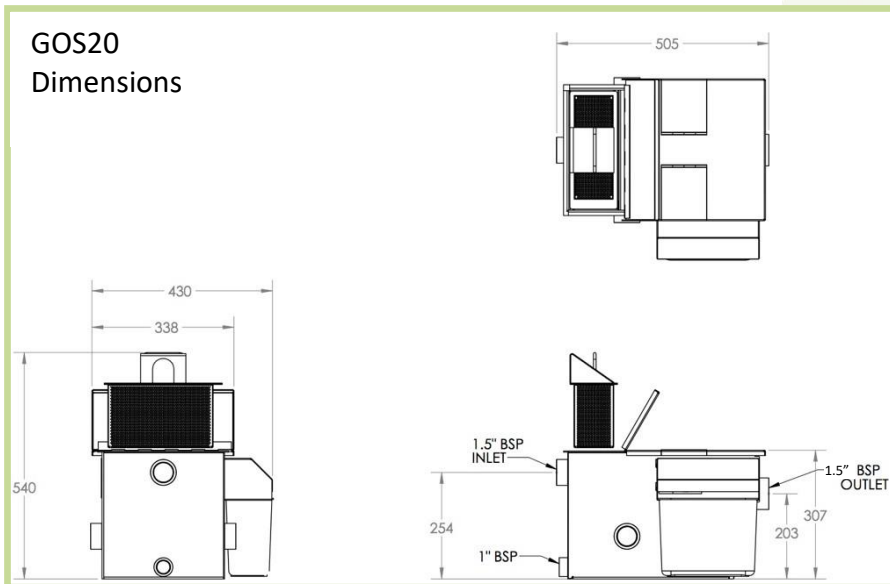
### Short form specification

GOS20 automatic grease removal unit / immiscible liquids separator which continuously operates under hydro-static pressure, with no moving parts. Made from 2.5mm, 304 stainless steel and complete with an immersion heater and two oil recovery cassettes. It has an effluent flow rate capacity of 0.50 litres/second and meets the industry codes and standards UL, IPC, UPC, IRC, NPC, ASME A112.14.3, ASME A112.14.4, PDI G101, and CSA B481.1

<b>Model:</b>	<b>GOS20</b>
<b>Shipping dimensions</b>	52 cm X 52 cm X 40 cm
<b>Shipping weight</b>	26 Kg
<b>Required clearances</b>	<ul style="list-style-type: none"> <li>• Headroom needed above strainer basket: 30.5 cm</li> <li>• 1.5" inlet</li> <li>• 2.0" outlet</li> <li>• Access to front oil cassette</li> <li>• Access to hinged lid for oil valve</li> </ul>
<b>Electrical requirements:</b>	240 Volt, 0.5kw, 2 Amps within 5' of unit



The Goslyn outlet may discharge either indirectly (e.g. into a floor sink as shown on the left) or directly to a drain pipe.



**Goslyn™** "The easiest & most effective GRU to operate & maintain!"

See the website for an agent near you – [www.goslyn.co.uk](http://www.goslyn.co.uk)

For questions and/or service, please call: **0333 335 0367**

Or email us at [info@goslyn.co.uk](mailto:info@goslyn.co.uk)

